

EVA-07S-PE-RFID / EVA-07S-PE-RFID-C



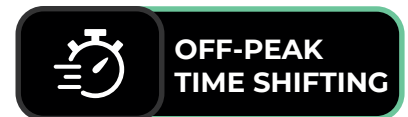
7.3kW Pro Earth Wall Tethered AC Charger Single Gun RFID
[32a Single Phase]

The Future of EV Charging

The EVA-07S-PE-RFID & EVA-07S-PE-RFID-C is a single phase tethered AC electric vehicle charger, ideal for domestic use. The unit comes with a market-leading five-year warranty.

Complete with a compact sleek design and solar compatibility; this charger also has time-shifting capabilities giving you the opportunity to save £100's per year*. With the charging unit's integrated cable locking feature you can ensure total protection, granting safety and convenience tethering the charger, cable, and vehicle all together securely.

The EVA-07S-PE-RFID & EVA-07S-PE-RFID-C is ready out of the box and perfect for any domestic electric vehicle charging. The RFID unit comes with one RFID card as standard, with additional RFID cards (EV-RFID) available for purchase. Optional ground mounts (EV-GMEVA-S-2) & optional floor stands (EV-FLRSTAND) are available to purchase.



METHODS OF CONTROL

Plug & Charge - Project EV's ethos is to make charging electric vehicles easy and stress free for all. With the Plug and Play mode you do not require any additional software or applications to control your EV charge point, you simply plug your car into a Project EV device, and the charge begins.

RFID - RFID Mode Charging is an easy simple way for users to control their EV Charge Point with a swipe of a card. One RFID card is supplied as standard, however extra cards can be supplied for those interested in public charging.

Project EV App - The FREE Project EV App allows you to choose and customise charging rates, prioritise off-peak charging to maximise savings (including via a solar charging mode) and create charging records; so you can see and control all your data.

Project EV Pro App - The Project EV Pro App is a unique EV charging platform, providing you the ability to utilise public charging capabilities and manage and control multiple chargers - from which you can generate a fluid revenue stream.



Note - EVA-07S-PE-RFID/EVA-07S-PE-RFID-C Datasheet - Information correct as of 01/23

*The amount of potential savings you can save per year depends on your energy provider, and your set energy tariff rates.

Input & Output

Input Amps	32a Single Phase
Input voltage	230V AC
Input frequency	50/60HZ
Output voltage	230V AC
Max. output power	7.3KW
Max. output current	32A
Charging interface type	IEC 62196-2, Type 2
Cable Length	5m

Protection

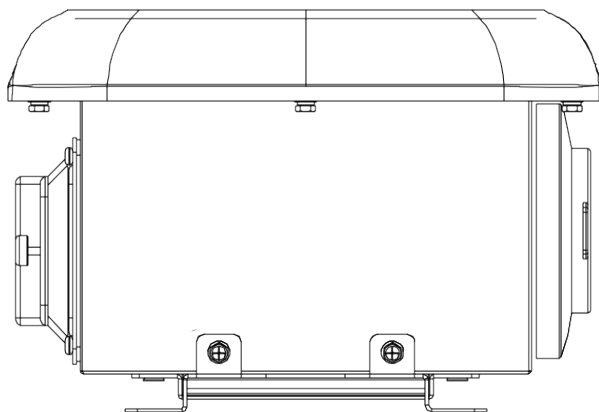
Over voltage protection	✓
Under voltage protection	✓
Over load protection	✓
Short circuit protection	✓
Earth leakage protection	✓
Over-temp protection	✓
Surge protection	✓
PEN fault protection	✓
Anti-Tamper Switch	EVA-07S-PE-RFID-C ONLY

Function & Accessory

Ethernet/WIFI/4G	Yes/Yes/Opt.
Outlet Type	Type 2 (tethered)
RCBO	Type A +6mA DC fault current protection (Equivalent to Type B)
LED Indicator light	✓
Emergency stop button	✓
Solar Compatible	Opt. CT Clamp Install Required
RFID	✓
Dynamic Load Management	Opt. CT Clamp Install Required

Working Environment

Protection degree	IP65
Environment temperature	-25°C~+50°C
Relative humidity	0-95% non-condensing
Cooling	Natural air cooling
Standby power consumption	<8W
IK Rating	IK10



Mechanical

Dimension (W/H/D)	220/375/145mm
Weight	<5KG

Mounting & Accessories

Wall-mounting	Standard
Floor-pole	Opt. EV-FLRSTAND
Ground-mounting	Opt. EV-GMEVA-S-2

Certification

CE / UKCA	✓
SA8000 Accredited	✓
OZEV Approved	✓

